

DH-ARD511

Glass Break Detector



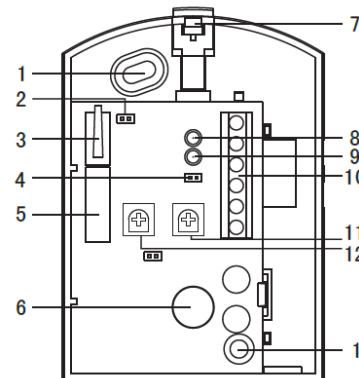
Features

- Built-in MCU
- Superior false alarm immunity
- Alarm type N.C./N.O. optional
- Lockable alarm mode
- Sensitivity settings, easy to test to find the optimum range
- High EMI/RFI immunity

Technical Specification

Detection Range	9m (Sensitivity adjustable)
Microwave Frequency	-
Mounting Type	Ceiling/Wall mount
Installation Height	-
Pet Immunity	-
Relay Output	N.C.
Tamper Switch	N.C.
Dimension	92mmx67mmx26.4mm
Working Voltage	DC9-16V
Operation Current	<30mA
Working Temperature	-10°C~+55°C
Material	ABS plastic

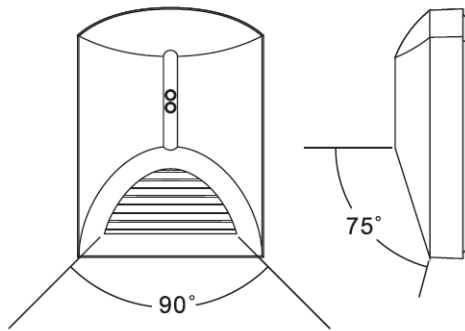
General View



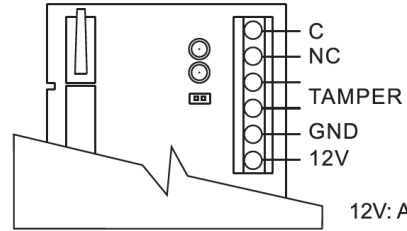
Interior view

1. Screw hole
2. N.O./N.C optional(JP3)
3. Anti-tamper switch
4. Lockable memory jumper JP1
5. Relay
6. Sound sensor
7. Opening pin
8. LED (red)
9. LED (green)
10. Terminal block
11. GLASS
12. SHOCK

General View



Exterior view



12V: Anode of DC power
GND: Cathode of DC power
TAMPER: Anti-tamper switch output
NC/C: relay output