

## **DH-PFM880-M**

---

Outdoor 2.4G/5G Wireless video transmission device



Antenna



Equipment

# DH-PFM880-M

## Features

- Support proprietary protocol TDMA; when the wireless devices open TDMA, other manufacturers will not be able to link them which ensure the system safety;
- TDMA protocol overcomes the inherent hidden nodes problem of 802.11, and makes the wireless products have the better performance in long-distance and point to multi-point;
- 2.4G: Working frequency support 2312~2732MHz;  
5G: Working frequency support 5745~5825MHz (extended range: 4920~6100MHz);
- Support auto ranging function, real time display straight line distance between client and base station;
- Support flow control, effectively control base station/client input/output flow control;
- Support VLAN partition, realize virtual local network function, control broadcast storm;
- Support Web page and AC remote operations management and make the installation and maintenance be more convenient;
- POE power supply, which supports international standard 802.3at and lets power supply be convenient and reliable;
- Built-in professional lightning protection technology, which supports 6 kV port lightning protection ability to ensure that the poor working environment adaptability of outdoor and greatly reducing rate of lightning damage to equipment.

## Specifications

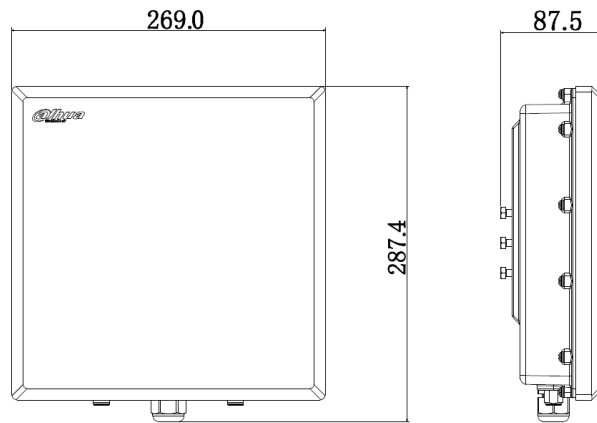
Model	DH-PFM880-M
<b>Wireless Features</b>	
Wireless Standard	IEEE802.11 a/n/ac IEEE802.11 b/g/n
Working Frequency	2.4G: 2412~2472MHz(support frequency to extend, extended range: 2312~2732MHz) 5G: 5745~5825MHz(support frequency to extend, extended range: 4920~6100MHz)
Wireless Speed	2.4G: 300Mbps 5G: 867Mbps
Modulation Mode	OFDM
Antenna	External 2.4G antenna: gain 13dBi Internal 5G antenna: gain 18dBi
Output Power	27dBm (max)
Receiving Sensitivity	11b: -93dBm@1Mbps 11g: -92dBm@6Mbps 11a: -91dBm@6Mbps 11n: -74dBm@MCS7 11ac: -67dBm@MCS9

## DH-PFM880-M

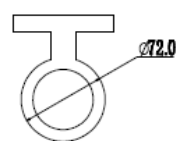
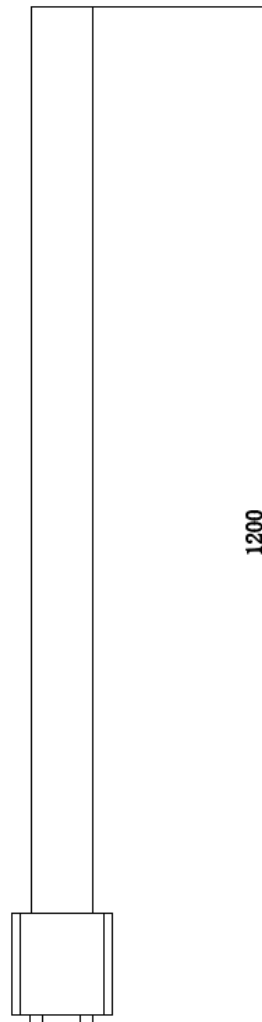
Transmission Distance	2.4G: 200m 5G: 0-5Km
Wireless Direction Angle	2.4G: horizontal 360°, vertical 8° 5G: horizontal 17°, vertical 17°
<b>Hardware</b>	
Power	1*PoE RJ45(IN: 220V, OUT: 48V/0.5A)
Power Consumption	Max. 20W
Ethernet Port	1*LAN RJ45(1Gbps)
Working Temperature	-30°C~+70°C
Storage Temperature	-40°C~+80°C
Working Humidity	5%~95%RH( no condensation)
Equipment Dimension	269mm×269mm×87.5mm
Antenna Dimension	φ72mm×1200mm
Equipment Weight	2.5Kg
Antenna Weight	3.5Kg
Protection Level	IP66
<b>Software</b>	
Encryption Type	WPA-PSK/WPA2/CCMP(AES)/TKIP
Network Mode	Route/Network Bridge
Working Mode	Access Point/Client/WDS AP/WDS client
Security Mechanism	IP/MAC address filtering, hide network name and etc.
Network Protocol	TCP/UDP/ARP/ICMP/DHCP/HTTP/NTP
TDMA Enhancement	Support(TDMA eliminate hidden nodes influence and greatly improve one-to-many performance)
Auto ACK Timing Adjustment	Support(Auto optimize parameter within long-distance communication and make the performance optimal)
Management and Log	NTP, Syslog, Telnet, AC, SNMP
Webpage Configuration Management	Support webpage configuration, AC remote management and SNMP management
Firmware Update	Support Firmware webpage update and AC remote upgrade
Bandwidth Flexible Configuration	10/20/40/80MHz

# DH-PFM880-M

## Dimensions (mm)



Equipment



Antenna

## DH-PFM880-M

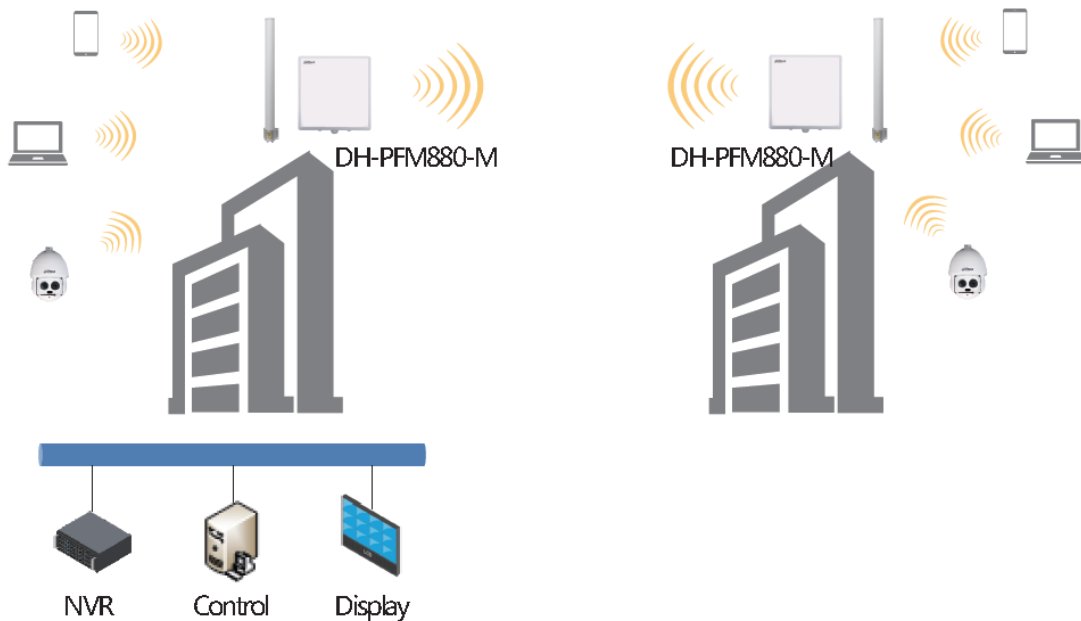
### Application Scenarios

1. Safe towns, safe construction sites, safe scenic area and wireless HD video monitoring of the bus stations, etc.;
2. Playground, ranch, uptown crossroad, orchard, park and other no blocking scenarios.

### Networking Mode

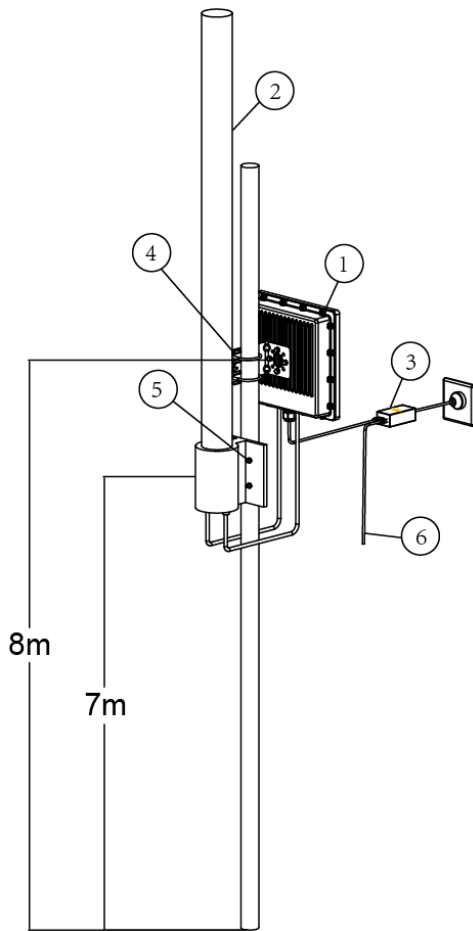
DH-PFM880-M is a dual band wireless device. In the actual project, we use point-to-point networking communication method with two DH-PFM880-A at the same time. Generally, we adopt one device DH-PFM880-A as a server (2.4G mode: Omni-directional), and it is set as the access point, the other one DH-PFM880-A is set as client points. Two DH-PFM880-M devices can achieve coverage and transfer back functions.

The following Figure can show you how to achieve the final demand.



# DH-PFM880-M

## Connection Mode



1. DH-PFM880-M wireless equipment
2. 2.4G Omni-directional antenna
3. POE power supply
4. Brackets of equipment
5. Brackets of antenna
6. Network interface of POE power supply. Used for connecting PC

### Note:

1. The recommended installation height of antenna is 7m, the recommended installation height of equipment is 8m. The actual installation height is determined by the installation environment.
2. Above is the connection diagram of DH-PFM880-M wireless equipment and 2.4G Omni-directional antenna, if that's be used for 5G configuration, can use the internal 5G antenna without installing 2.4G Omni-directional antenna.

---

### Dahua Technology Co., Ltd.

1199 BinAn Road, Binjiang District, Hangzhou, China

Tel: +86-571-87688883

Fax: +86-571-87688815

Email: [overseas@dahuatech.com](mailto:overseas@dahuatech.com)

[www.dahuasecurity.com](http://www.dahuasecurity.com)

\*Design and specifications are subject to change without notice.

© 2016 Dahua Technology Co., Ltd.