

DH-TP2600

HDCVI Distributor



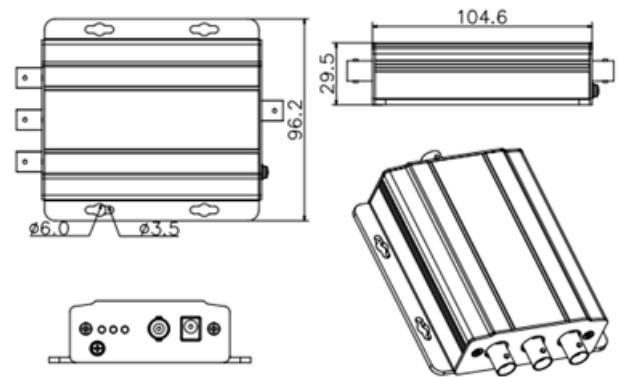
Features

- Support 1/3 channel In/Out
- Lossless non-compression transmission
- Support video format as 25/30/50/60fps@720P & 25/30fps@1080P
- UPnP, easy installation
- LED indicators
- Wide-range temperature application: -40°C ~75°C

Technical Specification

Model	DH-TP2600
Physical Port	
BNC Port	4*BNC ports (1/3 channel In/Out)
Other	
Transmitter Input Level	>500mVp-p
Input/Output Impedance	75Ω
Input Auto Cable Balance	1080p: 75-5 coaxial support 300m 720p : 75-5 coaxial support 500m
Indicator	Video indicator, power indicator, data indicator
Power	DC12V 1A
Power Consumption	≤5W
Temperature	-40°C ~75°C
Humidity	10%~90% RH
Unit Weight	200g
Dimension	104.6mm×96.2mm×29.5mm
Installation	Wall mount

Dimensions (mm)



Application

