

# DHI-HCVR5104/08/16HS-S3

4/8/16 Channel Tribrid 1080P Lite Compact 1U Digital Video Recorder



- Embedded processor
- H.264+/H.264 video compression
- Support HDCVI/CVBS/IP video inputs
- Max 6/12/24 channels IP camera inputs, each channel up to 5MP
- Max 24/48/96Mbps Incoming Bandwidth
- Smart Search and Intelligent Video System



## System Overview

Dahua newest generation digital video recorder adopts HDCVI technology, our in-house technology is an over-coaxial-cable analog HD video transmission standard, allowing long-distance HD transmission at a lower cost to meet the requirements for a complex and large installation. It supports up to 16 channels of HDCVI/CVBS inputs, and 8 channels IP camera additionally, 16 channels local live-view channels, and 16 playback channels.

Designed as a low-cost, easy installation product, this HCVR is ideal for a wide range of applications such as public safety, retail store, transportation, home protection and education. It is compatible with numerous third-party devices making it the perfect solution for surveillance systems with or without a video management system (VMS). Its open architecture supports multi-user access and is compatible with ONVIF 2.42.

## Functions

### Smart H.264+

Smart Codec, H.264+ can reduce up to 70% bit rate and storage requirements without having to invest in new cameras.

### 5MP Resolution

The HCVR supports up to 5MP HD resolution (2560 x 1920) IPC input for recording, live viewing.

### Spot Output(HCVR5116HS-S3)

It is made for a secondary monitor. This allows the operator to view one special monitor that assigned to selected cameras or video inputs from higher security areas.

### Intelligent Video System (IVS)

With built-in intelligent video analytics, the HCVR has the ability to detect and analyze moving objects for improved video surveillance. The HCVR provides optional standard intelligence at the edge allowing detection of multiple object behaviors such as abandoned or missing objects. IVS also supports Tripwire analytics, allowing the camera to detect when a pre-determined line has been crossed.

### Face Detection

It is a type technology being used in a variety of applications that search or identify individuals which show front cameras.

### Smart Search

This function helps you get more motion detect video during a short time through drawing a region when playback. It is very useful when an emergency occurs.

## Technical Specification

### System

Main Processor	Embedded Processor
Operating System	Embedded LINUX

### Display

Interface	1 HDMI ,1 VGA
Resolution	1920×1080, 1280×1024, 1280×720, 1024×768
Multi-screen Display	4CH: 1/4/6 8CH: 1/4/8/9/16 16CH: 1/4/8/9/16/25
OSD	Camera title, Time, Video loss, Camera lock, Motion detection, Recording

### Video Detection and Alarm

Trigger Events	Recording, PTZ, Tour, Video Push, Email, FTP, Snapshot, Buzzer and Screen Tips
Video Detection	Motion Detection, MD Zones: 396 (22 × 18), Video Loss, Tampering and Diagnosis
Alarm input	N/A
Relay Output	N/A

### Playback and Backup

Playback	4CH: 1/4 8CH: 1/4/9 16CH: 1/4/9/16
Search Mode	Time /Date, Alarm, MD and Exact Search (accurate to second)
Playback Function	Play, Pause, Stop, Rewind, Fast play, Slow Play, Next File, Previous File, Next Camera, Previous Camera, Full Screen, Repeat, Shuffle, Backup Selection, Digital Zoom
Backup Mode	USB Device/Network

### Storage

Internal HDD	1 SATA Port, up to 8TB capacity
eSATA	N/A

### Auxiliary Interface

USB	4/8CH:2 USB Ports (2 USB 2.0) 16CH:2 USB Ports (1 USB 2.0,1 USB 3.0)
RS232	N/A
RS485	1 Port, for PTZ Control

### Third-party Support

Third-party Support	Dahua, Arecont Vision, AXIS, Bosch, Brickcom, Canon, CP Plus, Dynacolor, Honeywell, Panasonic, Pelco, Samsung, Sanyo, Sony, Videotec, Vivotek, and more
---------------------	---

## Audio and Video

HDCVI Camera Input	4/8/16 Channel
IP Camera Input	4+2/8+4/16+8 Channel, each channel up to 5MP
Audio In/Out	1/1, RCA
Two-way Talk	Reuse audio in/out, RCA

## Recording

Compression	H.264+/H.264
Resolution	1080P, 1080N, 720P, 960H, D1, HD1, BCIF, CIF, QCIF
Record Rate	Main Stream: 1080P(1~15fps), 1080N/720P/960H/D1/HD1/BCIF/CIF/QCIF (1~25/30fps) Sub stream:D1/CIF/QCIF(1~15fps)
Bit Rate	1Kbps ~ 6144Kbps Per Channel
Record Mode	Manual, Schedule (Regular, Continuous), MD (Video detection: Motion Detection, Video Loss, Tampering), Alarm, Stop
Record Interval	1 ~ 60 min (default: 60 min), Pre-record: 1 ~ 30 sec, Post-record: 10 ~ 300 sec

## Network

Interface	4/8CH:1 RJ-45 Port (100M) 16CH:1 RJ-45 Port (1000M)
Network Function	HTTP, TCP/IP, IPv4/IPv6, UPnP, RTSP, UDP, SMTP, NTP, DHCP, DNS, IP Filter, PPPoE, DDNS, FTP, Alarm Server, P2P, IP Search (Support Dahua IP camera, DVR, NVS, etc.)
Max. User Access	128 users
Smart Phone	iPhone, iPad, Android
Interoperability	ONVIF 2.42, CGI Conformant

## Electrical

Power Supply	DC12V/2A
Power Consumption	<15W (Without HDD)

## Environmental

Operating Conditions	-10°C ~ +55°C (+14°F ~ +131°F), 0~ 90% RH
Storage Conditions	-20°C ~ +70°C (-4°F ~ +158°F) , 0~ 90% RH

## Construction

Dimensions	Compact 1U, 260×236×48mm(10.2"×9.3"×1.9")
Net Weight	0.75kg ( 1.7lb) (without HDD)
Gross Weight	1.5kg (3.3lb)
Installation	Desktop installation

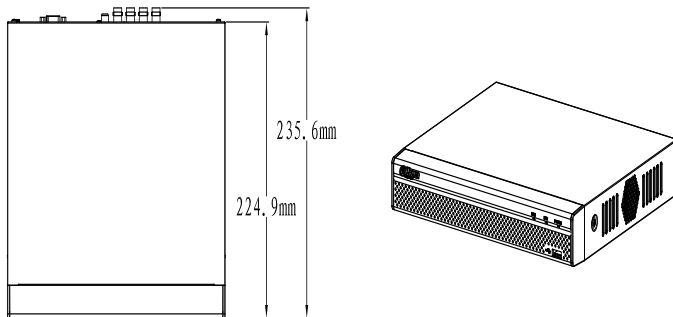
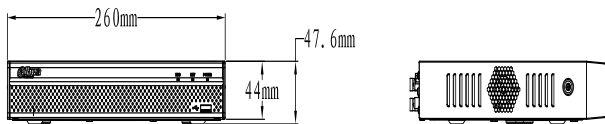
## Certifications

Certifications	FCC: Part 15 Subpart B ICES 003 Issue 6
	CE: EN 55032: 2012+AC:2013 (Class B) EN 55024 : 2010 EN 61000-3-2 : 2014 EN 50130-4: 2011 EN 61000-3-3 : 2013
	UL 60950-1 and CAN/CSA C22.2 No. 60950-1-07

**Ordering Information**

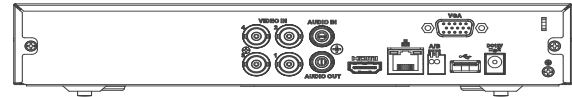
Type	Part Number	Description
4/8/16 Channel HCVR	DHI-HCVR5104HS-S3	4 Channel Tribrid 1080P Lite Compact 1U Digital Video Recorder
	DHI-HCVR5108HS-S3	8 Channel Tribrid 1080P Lite Compact 1U Digital Video Recorder
	DHI-HCVR5116HS-S3	16 Channel Tribrid 1080P Lite Compact 1U Digital Video Recorder

**Dimensions (mm)**

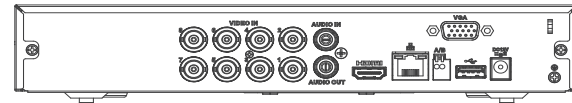


**Rear Panel**

DHI-HCVR5104HS-S3



DHI-HCVR5108HS-S3



DHI-HCVR5116HS-S3

