

# DH-PFM871A-N1

## Airfly Wireless Module



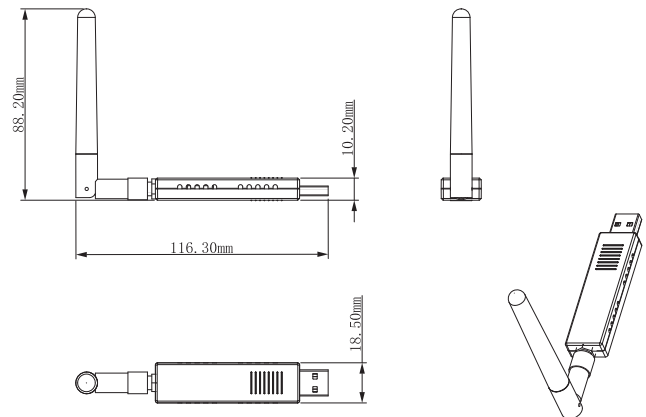
- 433/868/915MHz international wireless frequencies
- Transmission range up to 150m open space
- Supports USB2.0 & USB3.0, plug & play
- Low power consumption, long-lasting and energy-saving
- Industrial quality ensures 24X7 highly reliable operation



### Technical Specification

Wireless Frequency	433MHz/868MHz/915MHz/
Transmit Power	10dBm
Transmit Distance	150m(open area/no interface)
Operating Conditions	-10°C ~ +55°C (+14°F ~ +131°F), 0~ 90% RH
Storage Conditions	-20°C ~ +70°C (-4°F ~ +158°F), 0~ 90% RH
Dimensions	116.3mm×18.5mm×88.2mm (3.5" x 0.6" x 2.6")
Net Weight	0.02kg(0.04lb)
Gross Weight	0.05kg(0.1lb)

### Technical Specification



### Technical Specification

FCC

CE