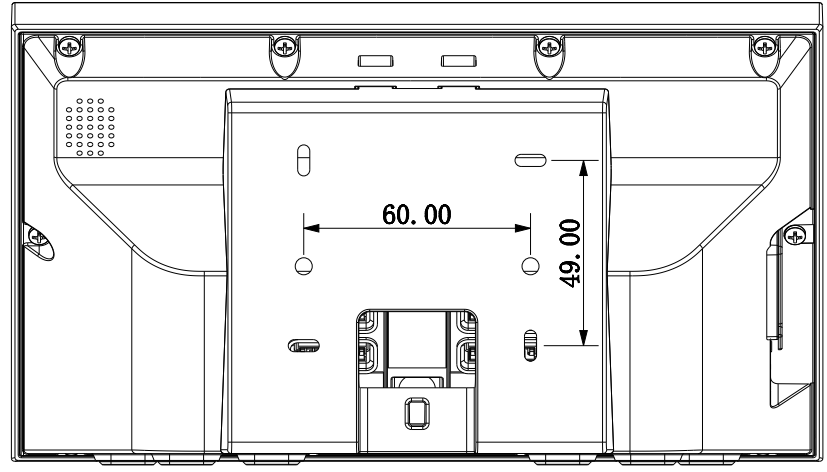
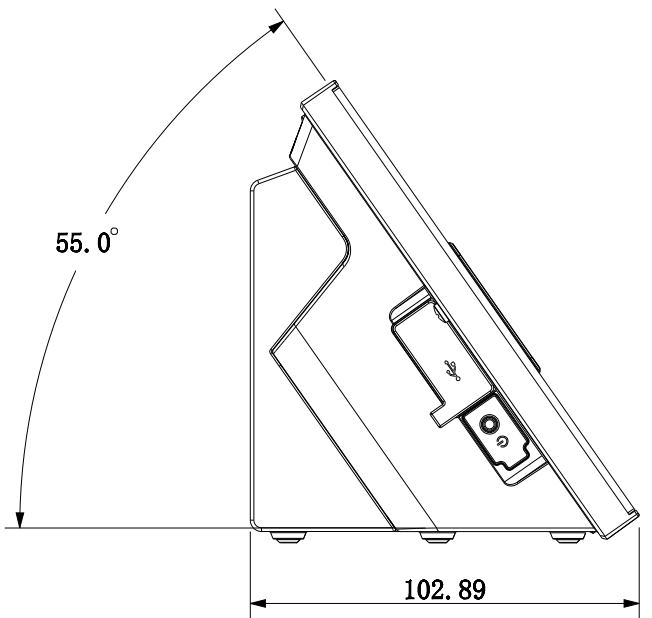
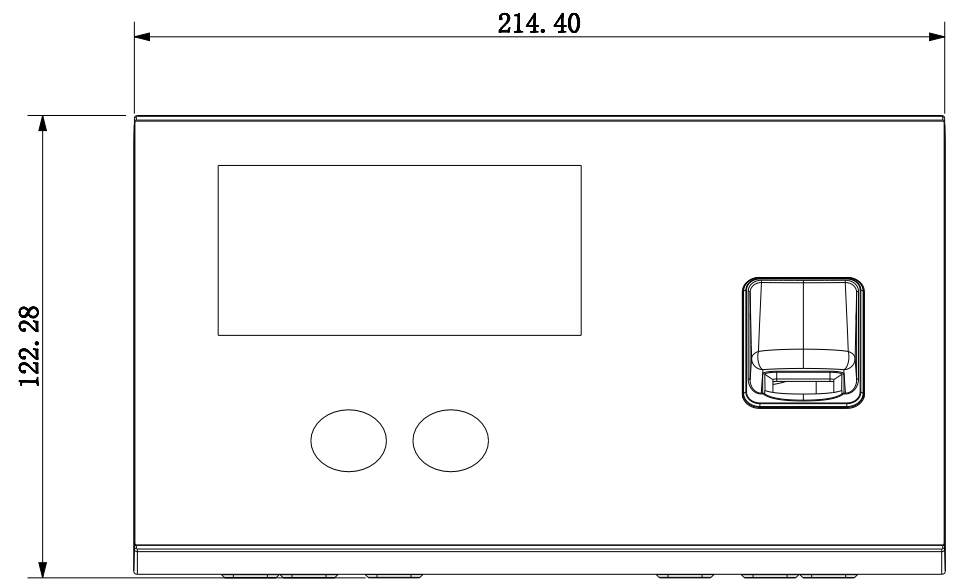


REVISIONS					
REV	ZONE	MARK	DESCRIPTION	DATE	CHANGED



RELEASE LEVEL: &PROI_RELEASE
FILE NAME: DH3-1875-0100

. X	±0.2			浙江大华技术股份有限公司 ZHEJIANG DAHUA TECHNOLOGY CO.,LTD.	TITLE: 裸机	
. XX	±0.15				UNIT'S: mm	DWG NO. : DH3-1875-0100
. XXX	±0.05	ANG ±0.5	DRAW:	DATE:	SCALE: 1:1	REV: MASS (g) : 23252877 PART NO. :
THESE DRAWINGS AND SPECIFICATION ARE THE PROPERTY OF ZHEJIANG DAHUA TECHNOLOGY Co., LTD. AND SHALL NOT BE REPRODUCED COPIED OR USED IN ANY MANNER WITHOUT THE PRIOR WRITTEN CONSENT OF ZHEJIANG DAHUA TECHNOLOGY Co., LTD.			CHKD:	DATE:	SHEET: 1 OF 1	
			STAD:	DATE:		
			APPD:	DATE:		