

# DHI-ARM808

## M-Bus 8-Zone Expansion Module



- 8-zone expansion
- 1-channel alarm outputs
- M-Bus protocol
- Applied in ARC9016C-V3

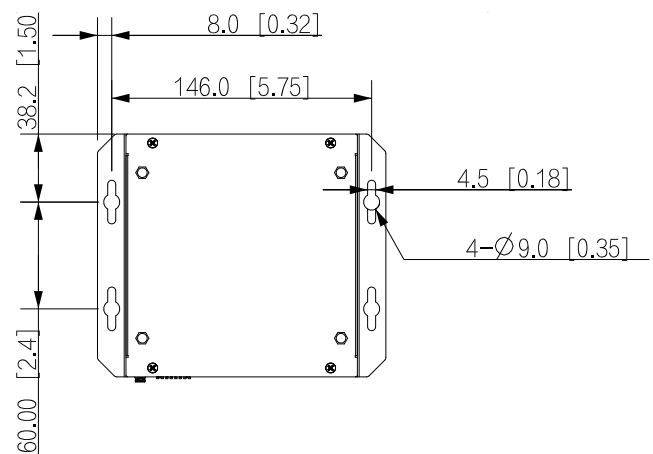
### Technical Specification

|                        |  |
|------------------------|--|
| Name                   | 8-zone expansion module  |
| Zone Expansion         | 8  |
| Communication Protocol | M-Bus  |
| Baud Rate              | 9600 bps   |
| Power Supply           | 12 VDC, 2 W  |
| Dimensions             | 136 mm × 132 mm × 30 mm (5.35" × 5.20" × 1.18")<br>(W × D × H) |
| Weight                 | 0.6 kg ( 1.32 lb )   |
| Installation           | Wall mount   |

### Ordering Information

| Type            | Model      | Description  |
|-----------------|------------|--|
| Alarm Accessory | DHI-ARM808 | 8-zone expansion and 1-channel alarm outputs<br>Applied in ARC9016C-V3 |

### Installation



### Dimensions (mm[inch])

