

DH-IPC-HUM8441-E2

4 MP Covert Pinhole WizMind Network Camera-Main Box



WizMind

Launched by Dahua Technology, Dahua WizMind is a full portfolio of solutions composed of project-oriented products including IPC, NVR, PTZ, XVR, Thermal and software platform which adopts industry-leading deep learning algorithms. Focusing on customer's requirements, WizMind provides precise, reliable and comprehensive AI solutions for verticals.

Series Overview

With deep learning algorithm, the separate pinhole camera supports functions such as perimeter protection and face recognition. Working with different types of lenses, the camera is widely applied to hidden or small scenes such as banks and advertising screens, meeting requirements in different installation scenes.

Functions

Smart H.265+ & Smart H.264+

With advanced scene-adaptive rate control algorithm, Dahua smart encoding technology realizes the higher encoding efficiency than H.265 and H.264, provides high-quality video, and reduces the cost of storage and transmission.

Perimeter Protection

With deep learning algorithm, Dahua Perimeter Protection technology can recognize human and vehicle accurately. In restricted area (such as pedestrian area and vehicle area), the false alarms of intelligent detection based on target type (such as tripwire, intrusion, fast moving, parking detection, loitering detection and gathering detection) are largely reduced.

Face Detection

Dahua Face Detection technology can detect the face in the image. With deep learning algorithm, the technology supports detecting, tracking, capturing and selecting the best face image, and then outputs face snapshot.

- Starlight 5-MP 1/2.7" CMOS image sensor, excellent low luminance performance and high definition of images.
- Outputs max. 2 channels 5 MP (2592 × 1944) @20 fps. 4 MP (2688 × 1520)@25/30 fps.
- H.265 codec allows high compression ratio and ultra-low bit rate.
- ROI, SMART H.264 +/H.265+, flexible coding, applicable to various bandwidth and storage environments.
- Rotation mode, 3D NR, HLC, BLC, digital watermarking, applicable to various monitoring scenes.
- Intelligent detection: Intrusion, tripwire, fast moving (the three functions support the classification and accurate detection of vehicle and human); loitering detection, people gathering, and face detection.
- Object monitoring: abandoned object, missing object.
- Abnormality detection: Motion detection, privacy masking, scene changing, audio detection, no SD card, SD card space warning, SD card error, network disconnection, IP conflict, illegal access, and voltage detection.
- Alarm: 2 in, 2 out; audio: 1 in, 1 out; RS-232; max. 256 G Micro SD card.
- 12 VDC/PoE power supply facilitates installation.
- Multiple Lens Unit optional.
- Require a Lens Unit to work together.



Face Attributes

With deep learning algorithm, the network camera can recognize face attributes, such as gender, age, expression, glasses, mouth mask, and beard.

Cyber Security

Dahua network cameras employ a series of security technologies, including security authentication and authorization, access control protocols, trusted protection, encrypted transmission and encrypted storage. These technologies improve the camera's defense against external cyber threats and prevent malicious programs from comprising the device.

Technical Specification

Camera	
Image Sensor	1/2.7" CMOS
Max. Resolution	2592 (H) × 1944 (V)
ROM	128 MB
RAM	1 GB
Scanning System	Progressive
Electronic Shutter Speed	Auto/Manual 1/3 s–1/100,000 s
Min. Illumination	0.005 lux@F2.0 (Color,30 IRE) 0.0005 lux@F2.0 (B/W,30 IRE)
S/N Ratio	> 56 dB

Lens																					
Lens Type	Fixed-focal																				
Lens Mount	M12																				
Focal Length	2.8 mm																				
Max. Aperture	F2.0																				
Field of View	L1/L4: Horizontal: 96°; Vertical: 55°; Diagonal: 110° L3: Horizontal: 102°; Vertical: 55°; Diagonal: 121° L5: Horizontal: 95°; Vertical: 54°; Diagonal: 115°																				
Iris Control	Fixed																				
Close Focus Distance	0.5 m																				
DORI Distance	<table border="1"> <tr> <th>Lens</th> <th>Detect</th> <th>Observe</th> <th>Recognize</th> <th>Identify</th> </tr> <tr> <td>L1/L4-2.8 mm</td> <td>61 m (200.13 ft)</td> <td>24.4 m (80.05 ft)</td> <td>12.2 m (40.03 ft)</td> <td>6.1 m (20.01 ft)</td> </tr> <tr> <td>L3-2.8 mm</td> <td>60 m (196.85 ft)</td> <td>24 m (78.74 ft)</td> <td>12 m (39.37 ft)</td> <td>6 m (19.69 ft)</td> </tr> <tr> <td>L5-2.8 mm</td> <td>62.2 m (204.07 ft)</td> <td>24.9 m (91.69 ft)</td> <td>12.4 m (40.68 ft)</td> <td>6.2 m (20.34 ft)</td> </tr> </table>	Lens	Detect	Observe	Recognize	Identify	L1/L4-2.8 mm	61 m (200.13 ft)	24.4 m (80.05 ft)	12.2 m (40.03 ft)	6.1 m (20.01 ft)	L3-2.8 mm	60 m (196.85 ft)	24 m (78.74 ft)	12 m (39.37 ft)	6 m (19.69 ft)	L5-2.8 mm	62.2 m (204.07 ft)	24.9 m (91.69 ft)	12.4 m (40.68 ft)	6.2 m (20.34 ft)
	Lens	Detect	Observe	Recognize	Identify																
	L1/L4-2.8 mm	61 m (200.13 ft)	24.4 m (80.05 ft)	12.2 m (40.03 ft)	6.1 m (20.01 ft)																
	L3-2.8 mm	60 m (196.85 ft)	24 m (78.74 ft)	12 m (39.37 ft)	6 m (19.69 ft)																
L5-2.8 mm	62.2 m (204.07 ft)	24.9 m (91.69 ft)	12.4 m (40.68 ft)	6.2 m (20.34 ft)																	

Intelligence	
IVS (Perimeter Protection)	Tripwire, intrusion, fast moving (the three functions support the classification and accurate detection of vehicle and human); loitering detection, people gathering, and parking detection.
Object Monitoring	Abandoned object, missing object
Face Detection	Face detection; track; snapshot; snapshot optimization; optimal face snapshot upload; face enhancement; face exposure; face attribute extraction including 6 attributes (gender, age, glasses, expressions, mask and beard) and 8 expressions (anger, calm, happiness, sadness, disgust, surprise, confusion and fear); face snapshot set as face or one-inch photo; 3 snapshot strategies (real-time snapshot, optimization snapshot, and quality priority); face angle filter; optimization time setting
Smart Search	Work together with Smart NVR to perform refine intelligent search, event extraction and merging to event videos

Video	
Video Compression	H.265; H.264; H.264H; H.264B; MJPEG (only supported by the sub stream)
Smart Codec	Smart H.265+ Smart H.264+
Video Frame Rate	Main stream: 2592 × 1944 @ (1–20 fps), 2688 × 1520 @ (1–25/30 fps) sub stream: 704 × 576 @ (1–25 fps)/704 × 480 @ (1–30 fps)

Stream Capability	2 streams
Resolution	5M (2592 × 1944); 4M (2688 × 1520); 3.6M (2560 × 1440); 3M (2048 × 1536); 1080p (1920 × 1080); 1.3M (1280 × 960); 720p (1280 × 720); D1 (704 × 576/704 × 480); CIF (352 × 288/352 × 240); VGA (640 × 480)
Bit Rate Control	CBR/VBR
Video Bit Rate	H.264: 3 kbps–20480 kbps H.265: 3 kbps–20480 kbps
Day/Night	Color/B/W
BLC	Yes
HLC	Yes
WDR	DWDR
Scene Self-adaptation	Yes
White Balance	Auto; natural; street lamp; outdoor; manual; regional custom
Gain Control	Manual; auto
Noise Reduction	3D NR
Motion Detection	OFF/ON (4 areas, rectangular)
Region of Interest (RoI)	Yes (4 areas)
Defog	Yes
Image Rotation	0°/90°/180°/270° (support 90°/270° with 2688×1520 resolution and lower)
Mirror	Yes
Privacy Masking	8 areas

Audio	
Audio Compression	G.711a; G.711Mu; PCM; G.726; G.723

Alarm	
Alarm Event	No SD card, SD card full, SD card error, network disconnection, IP conflict, illegal access, motion detection, video tampering, tripwire, intrusion, fast moving, missing object, abandoned object, parking detection, loitering detection, people gathering; scene changing, audio detection, voltage detection, external alarm, face detection , and security exception

Network	
Network Port	RJ-45 (10/100 Base-T)
SDK and API	Yes
Network Protocol	IPv4; IPv6; HTTP;TCP; UDP; ARP; RTP; RTSP; RTCP; RTMP; SMTP; FTP; SFTP; DHCP; DNS; DDNS; QoS; UPnP; NTP; Multicast; ICMP; IGMP; NFS; SAMBA; PPPoE; SNMP
Interoperability	ONVIF (Profile S/Profile G/Profile T); CGI; P2P; Milestone; Genete
User/Host	20 (Total bandwidth: 64 M)
Storage	FTP; SFTP; Micro SD card (support max. 256 G); NAS
Browser	IE: IE8, IE9, and IE11 Chrome Firefox
Management Software	Smart PSS; DSS; DMSS
Mobile Client	iOS; Android

Cyber Security	Video encryption; Firmware encryption; Configuration encryption; Digest; WSSE; Account lockout; Security logs; IP/MAC filtering; Generation and importing of X.509 certification; syslog; HTTPS; 802.1x; Trusted boot; Trusted execution; Trusted upgrade
Certification	
Certifications	CE-LVD: EN62368-1; CE-EMC: Electromagnetic Compatibility Directive 2014/30/EU; FCC:47 CFR FCC Part 15, Subpart B
Port	
Audio Input	1 channel (3.5 mm JACK port)
Audio Output	1 channel (3.5 mm JACK port)
Alarm Input	2 channels in: 5 mA 3-5 VDC
Alarm Output	2 channels out: 1,000 mA 30 VDC/500 mA 50 VDC
Power	
Power Supply	12 VDC/PoE(802.3af)
Power Consumption	Basic: 3.2W (12 VDC); 5.1W (PoE) Max. (Max. Resolution+ Intelligence): 4.7 W (12 VDC); 7.2 W (PoE)
Environment	
Operating Temperature	-40 °C to +60 °C (-40 °F to 140 °F)
Operating Humidity	≤ 95%
Storage Temperature	-40 °C to +60 °C (-40 °F to 140 °F)
Protection	IP66 (L3)
Structure	
Casing	Metal
Product Dimensions	E2: 110 mm × 83 mm × 24 mm (4.33" × 3.27" × 0.94") L1: Φ30.5 mm × 48.7 mm (Φ1.20" × 1.92") L3: Φ30.5 mm × 57.6 mm (Φ1.20" × 2.27") L4: 35 mm × 35 mm × 26.7 mm (1.38" × 1.38" × 1.05") L5: 35 mm × 35 mm × 28.4 mm (1.38" × 1.38" × 1.12")
Net Weight	210 g (0.5 lb)
Gross Weight	376 g (0.8 lb)

Ordering Information

Type	Model	Description
4 MP Camera	DH-IPC-HUM8441-E2	4 MP Covert Pinhole WizMind Network Camera-Main Box
Accessories (optional)	IPC-HUM8441-L1-0280B	4 MP Covert Pinhole WizMind Network Camera-Lens Unit
	IPC-HUM8441-L3-0280B	4 MP Covert Pinhole WizMind Network Camera-Lens Unit
	IPC-HUM8441-L4-0280B	4 MP Covert Pinhole WizMind Network Camera-Lens Unit
	IPC-HUM8441-L5-0280B	4 MP Covert Pinhole WizMind Network Camera-Lens Unit

Accessories

Optional:



IPC-HUM8441-L1-0280B
Separate Pinhole Lens



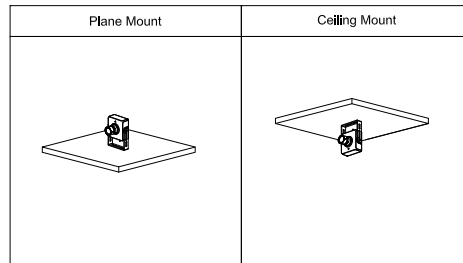
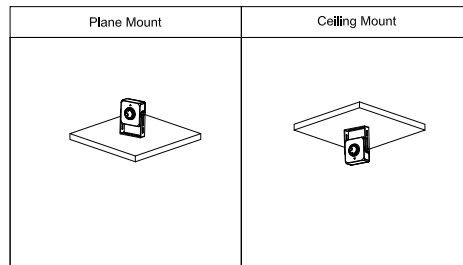
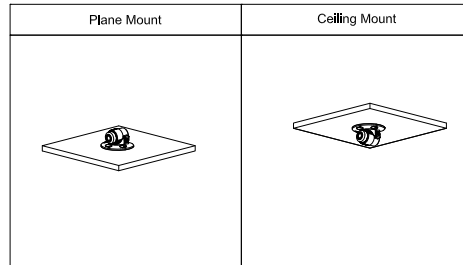
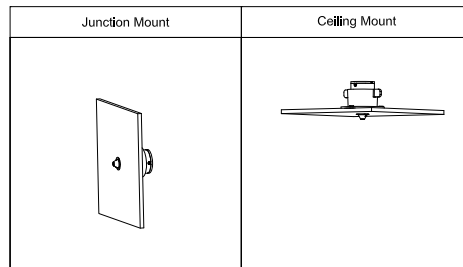
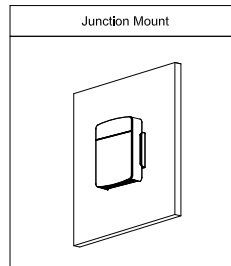
IPC-HUM8441-L3-0280B
Separate Pinhole Lens



IPC-HUM8441-L4-0280B
Separate Pinhole Lens

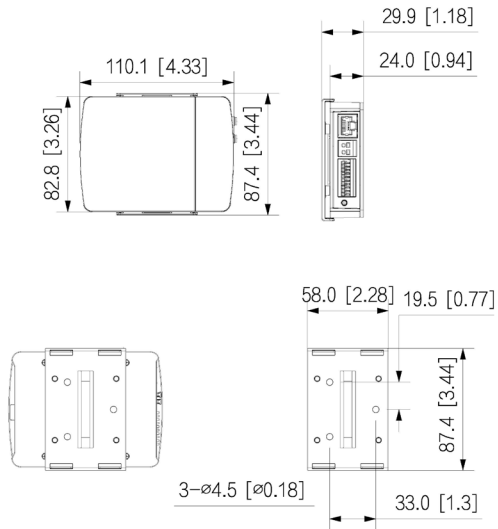


IPC-HUM8441-L5-0280B
Separate Pinhole Lens

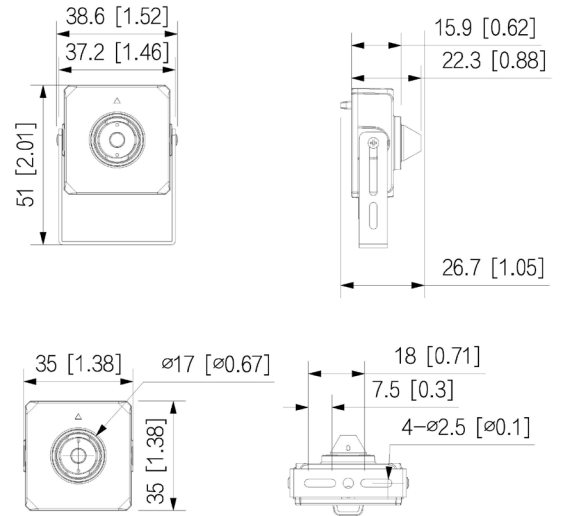


Dimensions (mm[inch])

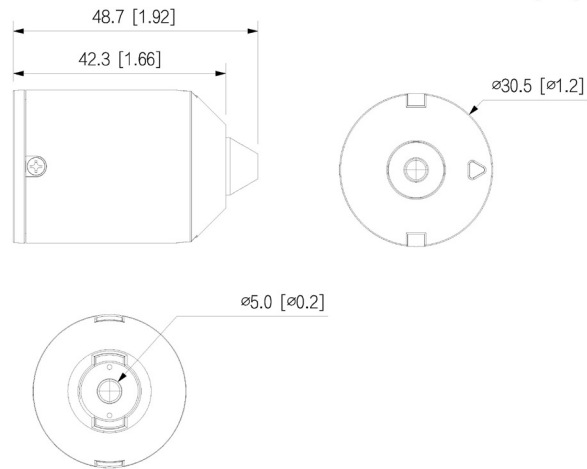
DH-IPC-HUM8441-E2



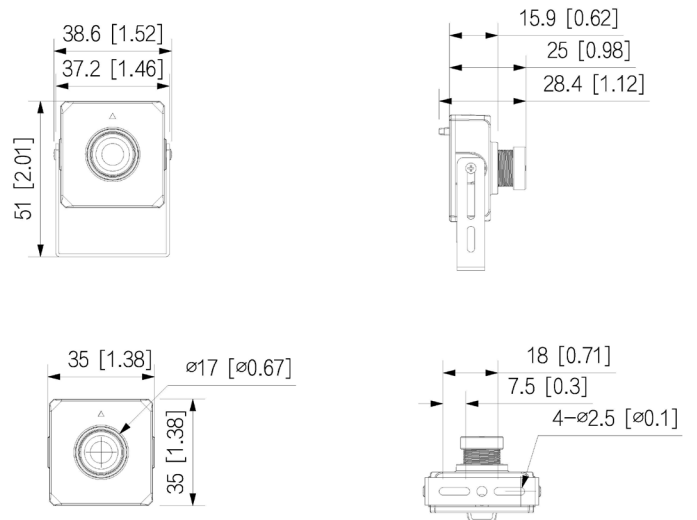
IPC-HUM8441-L4-0280B



IPC-HUM8441-L1-0280B



IPC-HUM8441-L5-0280B



IPC-HUM8441-L3-0280B

