

# DH-PFA157

## Pole Mount Bracket



- Built of aluminum alloy and is cost-effective.
- Suitable for a variety of cameras and is elegant.



### Scene

It is ideal for mounting cameras, and works in temperatures ranging from  $-40\text{ }^{\circ}\text{C}$  to  $+60\text{ }^{\circ}\text{C}$  ( $-40\text{ }^{\circ}\text{F}$  to  $+140\text{ }^{\circ}\text{F}$ ) and in environments with relative humidity of less than 90%.

### Technical Specification

#### Structure

|                      |   |
|----------------------|---|
| Material             | Aluminum alloy  |
| Dimensions           | 140.0 mm × 130.4 mm × 45.0 mm (5.51" × 5.13" × 1.77") (L × W × H)     |
| Color                | White   |
| Net Weight           | 0.27 kg (0.59 lb)   |
| Gross Weight         | 0.56 kg (1.23 lb)   |
| Load Bearing         | 5.0 kg (11.02 lb)   |
| Installation         | Plane mount   |
| Pole Diameter        | 80 mm–150 mm (3.15"–5.91")  |
| Applicable Camera    | Please see "Accessory Selection"                                      |
| Product Dimensions   | 185.0 mm × 163.0 mm × 71.0 mm (7.28" × 6.42" × 2.8") (L × W × H)      |
| Packaging Dimensions | 578.0 mm × 383.0 mm × 349.0 mm (22.76" × 15.08" × 13.74") (L × W × H) |
| Packaging Method     | 30 pcs in each master carton  |

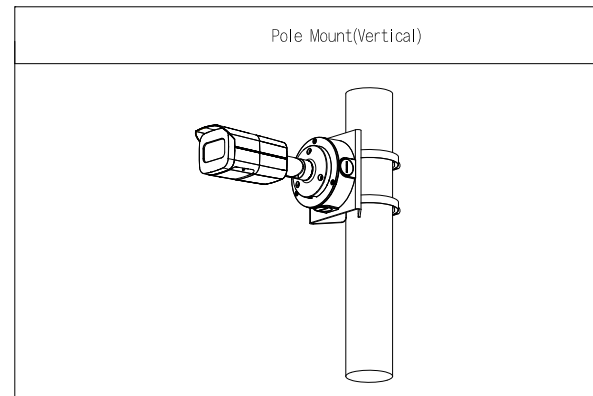
#### Environment

|                       |  |
|-----------------------|--|
| Operating Temperature | $-40\text{ }^{\circ}\text{C}$ to $+60\text{ }^{\circ}\text{C}$ ( $-40\text{ }^{\circ}\text{F}$ to $+140\text{ }^{\circ}\text{F}$ ) |
| Operating Humidity    | < 90% (RH)   |
| Storage Temperature   | $-40\text{ }^{\circ}\text{C}$ to $+60\text{ }^{\circ}\text{C}$ ( $-40\text{ }^{\circ}\text{F}$ to $+140\text{ }^{\circ}\text{F}$ ) |
| Storage Humidity      | 10%–90% (RH)   |

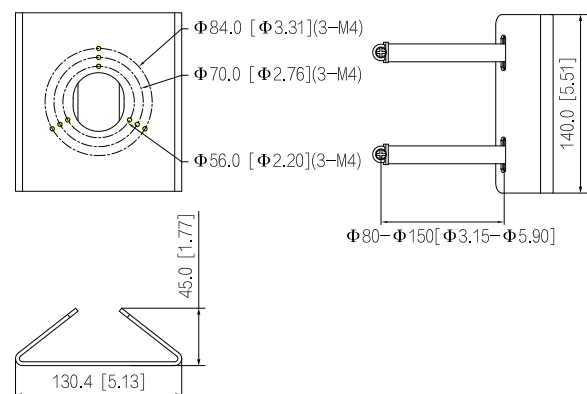
### Ordering Information

| Type         | Model     | Description        |
|--------------|-----------|--------------------|
| Camera Mount | DH-PFA157 | Pole Mount Bracket |

### Installation



### Dimensions (mm[inch])



### Package Information

- Pole Mount Bracket × 1
- M4×10 screws × 3
- S3.0 wrench × 1
- Metal Hoop × 2
- Installation Guide × 1