

DH-PFL1640-L12P

12MP 1.1" 16-40 mm F1.4 Manual Vari-focala Lens (P-iris)



- 12 MP, strong compatibility.
- 1.1" image sensor with strong compatibility.
- 16-40 mm focal length and F1.4 aperture, covering most surveillance scenes.
- IR correction for 24-hour real-time monitoring.
- Standard C mount for easy installation and strong compatibility.

Technical Specification

Performance

Image Sensor Size	1.1"
Focal Length	16-40 mm
Lens Pixel	12 MP
Aperture	F1.4 ± 10%
IR Correction	Yes
CRA(Chief Ray Angle)	6°
Total Optical Length	130 mm ± 0.3 mm (5.12" ± 0.01") (in air)
Flange Back Focal Length	17.52 mm ± 0.2 mm (0.69" ± 0.01") (in air)
Mechanical Back Focal Length	11.6 mm ± 0.2 mm (0.46" ± 0.01") (in air)
Field of View	1.1": W: 60.3° × 50.1° × 34.4° T: 25.3° × 21.2° × 14.7°@17.55 mm × 14.47 mm × 9.936 mm
TV Distortion	< -9% (wide angle) – < 1.2% (telephoto)
Minimum Object Distance (MOD)	W: 1.5 m (4.92 ft); T: 2.5 m (8.20 ft)

Control Mode

Zoom Control	Manual
Focus Control	Manual
Iris Control	P-iris

Port

Port Type	C mount
-----------	---------

Structure

Dimension	Ø66 mm × 112.4 mm (Ø2.60" × 4.43")
Appearance Color	Black
Casing	Metal
Net Weight	0.738 kg ± 0.01 kg (1.62 lb ± 0.02 lb)
Packaging Method	20 pcs in each master carton
Packaging Dimensions	615 mm × 345 mm × 250 mm (24.21" × 13.58" × 9.84") (L × W × H)

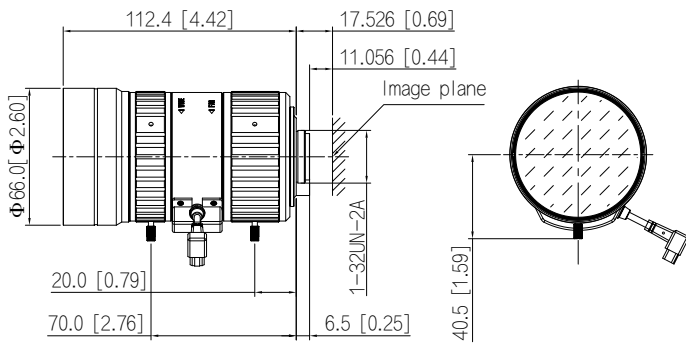
Environment

Operating Temperature	-30 °C to +70 °C (-22 °F to +158 °F)
Operating Humidity	95% (RH)
Storage Temperature	-40 °C to +85 °C (-40 °F to +185 °F)
Storage Humidity	95% (RH)

Ordering Information

Type	Part Number	Description
HD Vari-focal Lens	DH-PFL1640-L12P	Dahua HD 1.1" 16-40 mm F1.4 Manual Vari-focala Lens (P-iris)
HD Vari-focal Lens	PFL1640-L12P	HD 1.1" 16-40 mm F1.4 Manual Vari-focala Lens (P-iris)

Dimensions (mm[inch])



Package Information

Type	Quantity
Lens	1
Desiccant	2
Legal and Regulatory Information	1
Desiccant	1