

DH-IPC-HF8630F

6MP Box Network Camera



- 1/1.8" 6Megapixel progressive scan STARVIS™ CMOS
- H.265&H.264 triple-stream encoding
- 25/30fps@6M(3072×2048)
- DWDR, Day/Night(ICR), 3DNR,AWB,AGC,BLC
- Multiple network monitoring: Web viewer, CMS(DSS/PSS) & DMSS
- Auto back focus(ABF)
- Micro SD memory, PoE



excellent video quality.

HEVC (H.265)

H.265 ITU-T VCEG is a new video coding standard. H.265 Following standard developed around the existing video coding standard H.264 , some retain the original technology , while some of the relevant technology to improve the new technology uses advanced technology to improve the relationship between the code stream , encoding quality , and the delay between algorithm complexity , optimize settings specific contents include : Improve compression efficiency , improve the robustness and error recovery capabilities, real-time to reduce the delay, reduce channel acquisition time and a random access delay , reduce complexity , etc

System Overview

Ultra series product adopts high performance DSP and Sony advanced image sensor technology, which can provide excellent image effects for users such as UHD resolution, starlight and super WDR etc. The series utilizes Dahua advanced software algorithm, which is able to support people counting and heat map, bringing extra business analysis value for customers; IP67, IK10 and heater compliance enables the product to be applied in a more harsh environment.

Functions

Intelligent Video System (IVS)

Dahua camera has a built-in video analysis based on intelligent algorithms and can achieve the following: Tripwire, Intrusion, Abandoned/ Missing can timely, quickly and accurately respond to monitoring events in specific area. It enhances monitoring efficiency. At the same time, the camera can support face detection, it can quickly capture a face and upload the image to the server. In addition the camera also supports intelligent tamper detection, through dramatic changes in the scene it will send out warning information to ensure effective monitoring.

Business intelligent analysis (People counting, Heatmap)

Dahua Camera also supports more advanced intelligent features such as people counting and heat map besides basic IVS functions. These two functions can be applied to business intelligence and bring extra values to customers. It is available to acquire daily, weekly, monthly and yearly people flow via people counting and output data report. Heat map can be based on a moving object in time of space movement for analysis, find the most active area and output the report, which is to provide valuable data support for commercial applications.

Smart Scene Adaptive (SSA)

Smart Scene Adaptive (SSA) is a Dahua self-developed intelligent image technology, the camera automatically evaluates the change in scene, in particular strong lights. In a strong backlight environment, it will automatically regulate exposure parameters to get better image quality. This can effectively address the impact of traffic lights, providing

Technical Specification

Camera

Image Sensor	1/1.8" 6Megapixel progressive scan CMOS
Effective Pixels	3072(H)x2048(V)
RAM/ROM	1024MB/128MB
Scanning System	Progressive
Electronic Shutter Speed	Auto/Manual, 1/3~1/100000s
Minimum Illumination	0.005Lux/F1.2(Color,1/3s,30IRE) 0.05Lux/F1.2(Color,1/30s,30IRE) 0.003Lux/F1.2(B/W,1/3s,30IRE) 0.03Lux/F1.2(B/W,1/30s,30IRE)
S/N Ratio	More than 50dB
IR Distance	N/A
IR On/Off Control	N/A
IR LEDs	N/A

Lens

Lens Type	N/A
Mount Type	C/CS
Focal Length	N/A
Max. Aperture	N/A
Angle of View	N/A
Optical Zoom	N/A
Focus Control	N/A
Close Focus Distance	N/A

Pan/Tilt/Rotation

Pan/Tilt/Rotation Range	N/A
-------------------------	-----

Intelligence

IVS	Tripwire, Intrusion, Object Abandoned/Missing
Advanced Intelligent Functions	Face Detection, People Counting, Heat Map

Video

Compression	H.265+/H.265/H.264+/H.264
Streaming Capability	3 Streams
Resolution	6M(3072x2048)/ 5M(2560x1920)/ 3M(2048x1536)/ 3M(2304x1296)/ 1080P(1920x1080)/1.3M(1280x960)/ 720P(1280x720)/ D1(704x576/704x480) / VGA(640x480)/ CIF(352x288/342x240)
Frame Rate	Main Stream: 6M(1~25/30fps) Sub Stream: D1 (1 ~ 25/30fps) Third Stream: 1080P(1~25/30fps)
Bit Rate Control	CBR/VBR
Bit Rate	H.264: 24~ 16384Kbps H.265: 14~ 9984Kbps
Day/Night	Auto(ICR) / Color / B/W
BLC Mode	BLC / HLC / DWDR/SSA

White Balance	Auto/Natural/Street Lamp/Outdoor/Manual
Gain Control	Auto/Manual
Noise Reduction	3D DNR
Motion Detetion	Off / On (4 Zone, Rectangle)
Region of Interest	Off / On (4 Zone)
Electronic Image Stabilization (EIS)	Support
Smart IR	N/A
Defog	Support
Digital Zoom	16x
Flip	0°/90°/180°/270°
Mirror	Off / On
Privacy Masking	Off / On (4 Area, Rectangle)

Audio

Compression	G.711a/ G.711Mu/ AAC/ G.726
-------------	-----------------------------

Network

Ethernet	RJ-45 (100/1000Base-T)
Protocol	HTTP;HTTPS;TCP;ARP;RTSP;RTP;UDP;SMTP;FTP; DHCP;DNS;DDNS;PPPOE;IPv4/v6;QoS;UPnP;NTP; Bonjour;802.1x;Multicast;ICMP;IGMP;SNMP
Interoperability	ONVIF, PSIA, CGI
Streaming Method	Unicast / Multicast
Max. User Access	10 Users/20 Users
Edge Storage	NAS Local PC for instant recording Mirco SD card 128GB
Web Viewer	IE, Chrome, Firefox, Safari
Management Software	Smart PSS, DSS, Easy4ip
Smart Phone	IOS, Android

Certifications

Certifications	CE (EN 60950-1: 2006) UL:UL60950-1 FCC: FCC Part 15 Subpart B
----------------	---

Interface

Video Interface	1 port(BNC,1Vp-p,75Ω)
Audio Interface	2/1 channel In/Out, 1 Built-in Mic
RS485	1 port
Alarm	2 channel In: 5mA 5VDC 2 channel Out: 1A 30VDC / 0.5A 50VAC

Electrical

Power Supply	DC12V, AC24V, PoE(802.3af)(Class 0)
Power Consumption	<7W

Environmental

Operating Conditions	-30° C ~ +60° C (-22° F ~ +140° F) / Less than 95% RH
Storage Conditions	-30° C ~ +60° C (-22° F ~ +140° F) / Less than 95% RH
Ingress Protection	N/A
Vandal Resistance	N/A

Construction

Casing	Metal
Dimensions	161.6mm×85.5mm×74.0mm (6.36"×3.37"×2.91")
Net Weight	0.72Kg (1.59lb)
Gross Weight	0.92Kg (2.03lb)

Ordering Information

Type	Part Number	Description
6MP camera	DH-IPC-HF8630FP	6MP Box Network Camera, PAL
	DH-IPC-HF8630FN	6MP Box Network Camera, NTSC
	IPC-HF8630FP	6MP Box Network Camera, PAL
	IPC-HF8630FN	6MP Box Network Camera, NTSC
Accessories (optional)	PFB110W	Wall mount
	PFB121W	Wall mount

Accessories

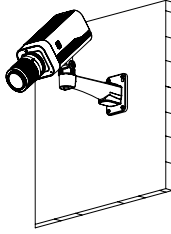
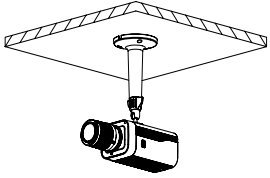
Optional:



PFB110W
Wall mount



PFB121W
Wall mount

Wall Mount	Wall/Ceiling/Plane Mount
PFB121W	PFB110W
	

Dimensions (mm/inch)

