

DHI-ITC215-PW4I-LZF27135(Pole Mount)

2 Megapixel Full HD AI Access ANPR Camera



- 1/2.8 inch 2Megapixel Progressive scan CMOS
- WDR, Day/Night(ICR), 3DNR,BLC, HLC
- H.265& H.264 dual-stream encoding
- Micro SD memory
- Powerful 2.7-13.5mm motorized lens and white light, ideal for monitor ANPR distance 3-8m
- IP67, and superior performance for outdoor applications
- Embedded with LPR algorithm inside the camera
- Vehicle data structuring: license plate recognition, vehicle size, vehicle color detection and etc.

Overview

The 2-megapixel CMOS full HD AI access ANPR camera with the features as high color restoration, low illuminance and build-in white light, can be used in parking and access control environment. In standard entrance scenario(refer to the installation guide), It can detect the vehicles from the video with over 99% capture rate, recognize the plate in low speed less than 40kmh and structure the vehicle data with the embedded deep learning algorithm. Besides, with whitelist inside, this camera can control the barrier open by itself.

Function

High vehicle capture rate

With build-in vehicle deep learning algorithm,in the standard entrance scenario(refer to the installation guide), the camera can achieve very high vehicle capture rate ($\geq 99\%$ for vehicle front face) from the video in day and night. As the algorithm is based on vehicle model, the camera can also capture the vehicle with dirty plate and even without plate when the vehicle approaches or leaves. It is recommended to use the camera to capture the vehicle front face and within 40kmh.

World-wide license plate recognition

The camera can provide the high performance license plate recognition for world-wide. The majority countries and areas in Europe, South America, Mid and South Asia, and etc., are supported. The AI ANPR camera will provide a cutout snapshot of plate, the vehicle overview image and also record the surveillance video.

Metadata

With the leading deep learning algorithm, the camera can provide the structuring data from the vehicles, including vehicle direction, vehicle size and vehicle color detection (in daytime). These data can also be overlay on the vehicle images.



Embedded White List

Embedded with whitelist inside the camera, the camera can control the barrier opened by relay out port if the plate number recognized is in the whitelist. Support to import the list with a batch as much as 10000 records.

Excellent image quality

Embedded with leading image processing and wide dynamic range (WDR) technology, clear image of vehicle and plate detail can be achieved even in the night and most intense contrast lighting conditions. With True WDR (120Db), the camera can prevent the impact of head light when the vehicles approach in night (The camera installation height should between 1.2m~2m).

Adequate physical interface

The device supports external one channel HDCVI video stream input, which can connect to an extra camera for video surveillance on the entrance or behind the barrier.

3 ports to control the barrier and 3 port for the alarm input, which can support traditional trigger methods like loop detector.

Special design

The new pole mount accessory is exactly designed for the 1.2m height standard entrance scenario. With special designed camera structure and pole accessory, the new pole mount solution can provide customer a simpler appearance, which also is waterproof and vandal resistant.

Technical Specification

Camera

Image Sensor	1/2.8 inch 2 Megapixel CMOS
Effective Pixels	2MP, 1920(H) x 1080(V)
Scanning System	Progressive
Minimum Illumination	0.005Lux/F1.3
Electronic Shutter Speed	1/50~1/10000
White Light Distance	Up to 12M
White light LEDs	6

Lens

Lens Type	Motorized/ Auto Iris(DC)
Mount Type	Board-in Type
Focal Length	2.7mm~13.5mm
Max Aperture	F1.3
Angle of View	H: 119°~ 32° V:65 ° ~18°
Focus control	Auto
ANPR Distance	3-8M

Intelligence

LPR Function	Embedded with Deep learning LPR engine
Vehicle Detection	Supports vehicle video detection with high detection rate; supports vehicle direction detection
Vehicle data structuring	license plate recognition, vehicle size, vehicle color detection and etc.
Vehicle size detection	Supports 11 vehicle sizes detection: large bus, heavy truck, medium truck, sedan, minivan, light truck, SUV, MPV, medium bus, pick-up and minicar.
Vehicle color detection	Supports 11 colors detection(daytime): white, black, blue, red, yellow, green, pinkish purple, gray, brown, orange and silver.
Detection model	Supports Video detection or loop detection
Snapshot	Overview and cutout of plate for picture
OSD overlay	Time, place, plate number, etc.
White list	10000 records database inside the camera
Barrier control	Relay out to control the barrier

Interface

Audio Interface	1 Input/1 Output
RS485	2
Alarm	3/3 channel In/Out

Video

Compression	H.265/H.264M/H.264H/H.264B
Resolution	1080P(1920x1080) / 720P(1280x720) / D1(704x576)
Frame Rate	Main Stream: 1080P(1 ~ 25/30fps) Sub Stream: 720P/ D1 (1 ~ 25/30fps)
Bit Rate Control	CBR, VBR
Bit Rate	32 ~ 16384 Kbps
Dual Stream	Support, Main stream and sub stream
White Balance	Auto/Manual
Gain Control	Auto/Manual
Noise Reduction	3D

Network

Ethernet	RJ-45 (100/1000Base-T)
Interoperability	CGI, SDK, Onvif
Max. User Access	20
Web Viewer	IE8,IE9,IE10,IE11,Chrome V33, V41
Protocol	IPv4/IPv6, HTTP, TCP/IP, UDP, NTP, DHCP, DNS
Edge Storage	Micro SD, Max 64GB Status Display Local PC for Instant Recording
Management Software	PMS

Certifications

Certifications	CE FCC
----------------	-----------

Environmental

Operating Conditions	-30°C~+65°C, Less than 90% RH
Ingress Protection	IP67

Construction

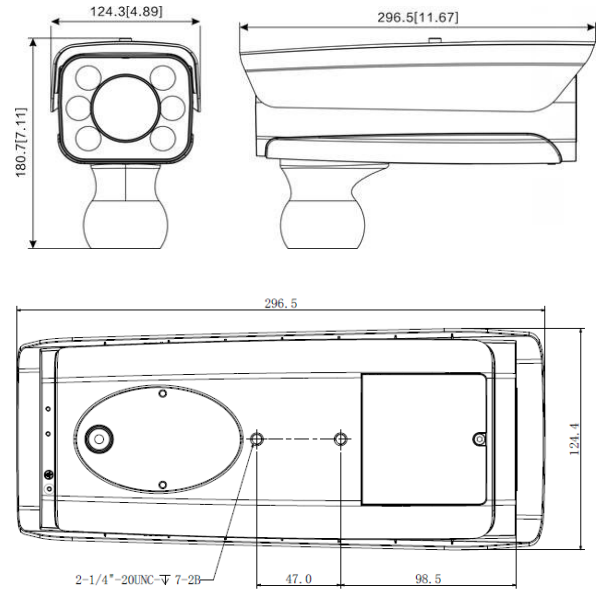
Dimensions(Camera)	297mm × 124mm × 180mm
Weight(Camera)	2.5kg
Dimensions(Pole)	H=1278mm φ=60mm
Weight(Pole)	6.7kg

Electrical

Ordering Information

Type	Part Number	PN	Description
2MP camera	DHI-ITC215-PW4I-LZF27135(Pole Mount)	1.0.01.09.11746 1.0.01.09.11748(DHI)	2 Megapixel Full HD AI Access ANPR Camera
Pole	IPMAE9-0100A	1.0.01.09.11756	1200mm pole

Dimensions without Bracket(mm/inch)



Dimensions with Bracket(mm/inch)

