

DH-IPC-HFW5799ZE-X

2MP WDR IR Bullet Network Camera



- 1/2.8" 2Megapixel progressive scan STARVIS™ CMOS
- H.265&H.264 triple-stream encoding
- 50/60fps@1080(1920×1080)
- WDR(125dB), Day/Night(ICR), 3DNR, AWB, AGC, BLC
- 2.7mm ~13.5mm motorized lens
- Max. IR LEDs Length 55m
- Micro SD memory, IP67, IK10, ePoE



Technical Specification

Camera

Image Sensor	1/2.8" 2Megapixel progressive scan CMOS
Effective Pixels	1920(H) x 1080(V)
RAM/ROM	256MB/32MB
Electronic Shutter Speed	Auto/Manual, 1/3(4)~1/100000s
Minimum Illumination	0.006Lux/F1.4 (Color,1/3s,30IRE) 0.05Lux/F1.4 (Color,1/30s,30IRE) 0Lux/F1.4 (IR on)
S/N Ratio	More than 50dB
IR Distance	Distance up to 55m
IR On/Off Control	Auto/ Manual
IR LEDs	4

Lens

Lens Type	Motorized/ Auto Iris(DC)
Focal Length	2.7mm~13.5mm
Max. Aperture	F1.4
Angle of View	H: 104°~29°, V:55°~16°
Optical Zoom	5x
Focus Control	Motorized

Intelligence

Advanced Intelligent Functions	Face Detection
Tripwire	Off / On
Intrusion	Off / On
Object Abandoned	Off / On
Missing	Off / On

Video

Compression	H.265+/H.265/H.264+/H.264
Streaming Capability	3 Streams
Resolution	1080P(1920x1080)/1.3M(1280x960)/ 720P(1280x720)/D1(704x576/704x480)/ VGA(640x480)/CIF(352x288/352x240)
Frame Rate	Main Stream: 1080P(1~50/60fps) Sub Stream: D1(1~50/60fps) Third Stream: 1080P(1~25/30fps)
Bit Rate Control	CBR/VBR
Bit Rate	H.264: 24~9472Kbps H.265: 14~5632Kbps
Day/Night	Auto(ICR) / Color / B/W
BLC Mode	BLC / HLC / WDR(125dB)
Exposure	Auto/Gain Priority/ Shutter Priority/ Manual
Picture Style	Soft/ Standard/ Vivid
Auto Iris	Off/ On
Noise Reduction	3D DNR
OSD	Multi-Color font
Snapshot Type	General/ Event
Snap Quantity	1, 2, 3, 4, 5
Flip	0°/90°/180°/270°
Mirror	Off/ On
Privacy Masking	Off/ On(4 Area, Rectangle)
Picture Overlay	Off / On
Channel Title	Off / On
Test Overlay	Off / On
Picture Parameter	Brightness/Contrast/Saturation/Sharpness/Gamma

Anti-Flicker	Outdoor/ 50HZ/ 60HZ
Abnormality	SD card/ Network/ Illegal Access
Video Detection	Motion Detection/Video tampering/Scene changing
Audio	
Compression	G.711a/ G.711Mu/ AAC/ G.726
Noise Filter	Off/ On
Network	
Ethernet	RJ-45 (10/100Base-T)
Protocol	HTTP; HTTPS; TCP; ARP; RTSP; RTP; UDP; SMTP; FTP; DHCP; DNS; DDNS; PPPoE; IPv4/v6; QoS; UPnP;NTP; Bonjour; 802.1x; Multicast; ICMP; IGMP; SNMP
Interoperability	ONVIF, PSIA, CGI
Streaming Method	Unicast / Multicast
Max. User Access	10 Users /20 Users
Certifications	
Certifications	CE (EN 60950:2000) UL:UL60950-1 FCC: FCC Part 15 Subpart B
Interface	
Video Interface	1 Port(For adjustment only)
Audio Interface	1/1 channel In/Out
Alarm	2 channel In: 5mA 5VDC 1 channel Out: 300mA 12VDC
Electrical	
Power Supply	DC12V, PoE (802.3af)(Class 0)
Power Consumption	<12.95W
ePOE	Support
Environmental	
Operating Conditions	-30° C ~ +60° C (-22° F ~ +140° F) / Less than 95% RH
Storage Conditions	-30° C ~ +60° C (-22° F ~ +140° F) / Less than 95% RH
Ingress Protection	IP67
Vandal Resistance	IK10
Construction	
Casing	Metal
Dimensions	273.2mm×95.0mm×95.0mm (10.76"×3.74"×3.74")
Net Weight	1.11Kg (2.44lb)
Gross Weight	1.51Kg (3.33lb)

Accessories

Optional:



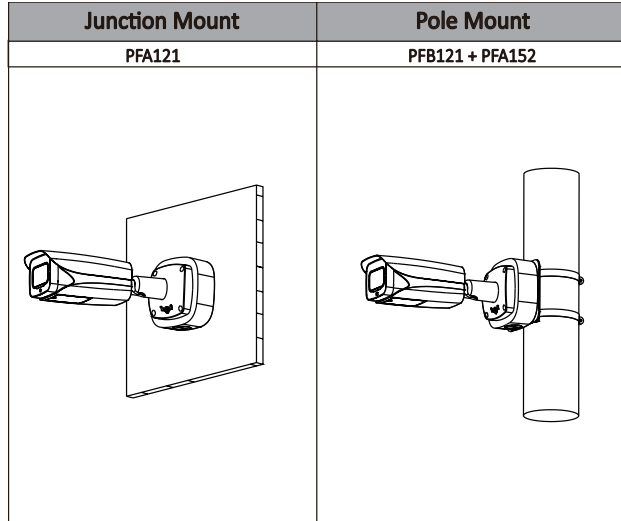
PFA121
Junction box



PFA152-E
Pole Mount



LR1002
ePoE Over Coax Converter



Dimensions (mm/inch)

