



More Than Fast

Secure and Intelligent Biometric Identification Technology



Fingerprint



Time Attendance



Wi - Fi



Face Recognition



Access Control



Alarm In/Out

Advantages

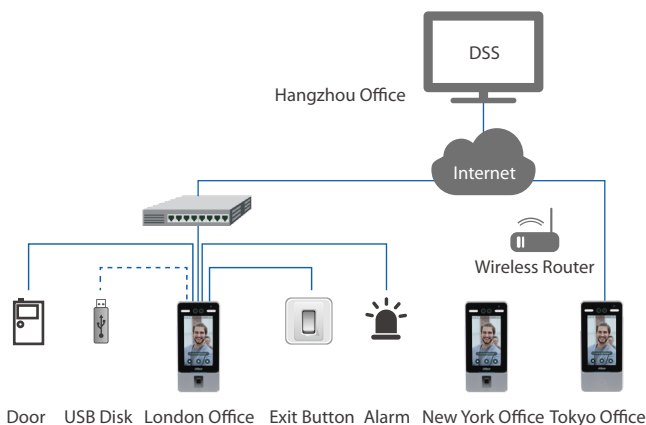
- Secure access authorization, avoids the risk of cards being lost or copied, and supports liveness detection to prevent access using photos or videos.
- Quick face recognition (less than 0.35 second), allows touchless access with just a glance and without stopping.
- All-in-One designed, flexibility in any combination of identification (Card, Face, Fingerprint, Password)

Features

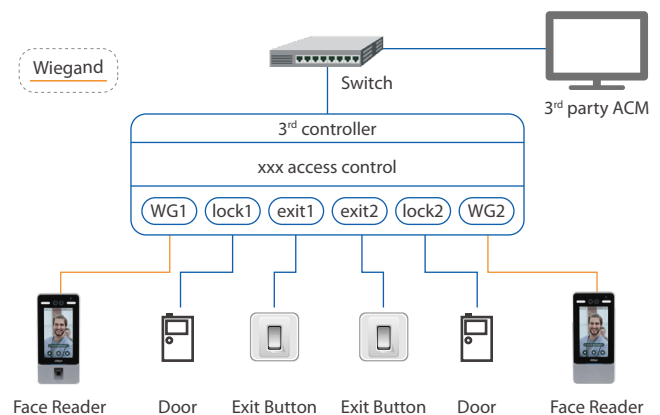
- Supports up to 50,000 users, 50,000 face image logs, 10,000 fingerprints, 50,000 cards, 50,000 passwords, and 50 administrators
- 7 inch IPS display, with 1024x600 resolution
- Comes with face detection box; when multiple faces has been detected at the same time, the largest face image will be recognized first; the maximum size of face image can be configured online
- 2MP wide-angle WDR lens; with auto/manual fill light
- Face-camera distance: 0.3 m - 2 m; human height: 0.9 m - 2.4 m

System Structure

- All-in-one DSS Platform
- Multi-site and WLAN communication (P2P connection)
- Access Control and Time Attendance
- RJ45 and Wi-Fi



- 3rd party access controller connects our face recognition device directly
- Old access control system with upgraded biometric verification
- Our face device serves as a biometric card reader. After the face or fingerprint recognition has been completed, the card number will be sent to the 3rd party system via wiegand interface.



* Design and specifications are subject to change without notice.

Ver. 2, Oct. 2019

DAHUA TECHNOLOGY

No.1199 Bin'an Road, Binjiang District, Hangzhou, China. 310053

Tel: +86-571-87688883 Fax: +86-571-87688815

Email: overseas@dahuatech.com

www.dahuasecurity.com

