

DHI-IVS-F7500-P-S2

Face Recognition Server



As a mass data process platform of face management, Dahua Face Recognition server DHI-IVS-F7500-P-S2 analyzes image stream and extract the feature of human face as structural data, and stores them in distributed database and distributed memory respectively.

Based on excellent image comparison search engine technology, it support fuzzy search of mass data and provide search results within seconds.

DHI-IVS-F7500-P-S2 is mainly applied to city-class scenes or projects, like safe city, security management of main traffic thoroughfares or plaza, business analysis of client for chain supermarkets, etc.

Functions

Support to upload the face picture of the suspect to system to find its information if it has been enrolled

Support to compare the captured face picture with face pictures in enrolled database, if hit the target it will alert

Support different alarm threshold value according to different enrolled database

Support to detect the human face in the picture automatically and to compare it with the human face pictures in the enrolled database and captured database, popping up the results immediately

Support maximum 2,000,000 human face pictures in enrolled database for wanted person alert dynamically

Support to add, delete, modify and query the person information in the enrolled database

support batching import/export the pictures and compressed file
maximum process speed: 100 images/second

Support working with DSS-C9100

Technical Specification

Hardware

Main Processor	Intel Xeon Gold 5120 x2
Memory	128GB (16GBX8)
Operating System	Linux
Network	2 RJ-45 Ports (10/100/1000Mbps)
Storage	20TB (3.5' SATA 4TB HDD x 5)
USB	4 USB port (2 x USB 2.0 Ports, 2x USB 3.0)
VGA	1 VGA Port
Power Supply	100-240V ~,50/60Hz,10A-5A 750W, redundant power supply, support hot plug
Product Dimensions	2U : 87mm(H) x 438.5mm(W) x 735mm(D)
Package size	1062.00mm(H) x 747.00mm(W) x 262.00mm(D)
Net Weight	34 kg

Software

Access mode	image flow
Analysis capacity	100 images/second
Face feature	gender, age, beard, mask, glasses, expression
face pixel requirement	higher than 100x100
face library capacity	maximum 20millions
Retrieval	search the captured image based on the channel, time, face feature .
black list control	the blacklist can be managed as multiple library. each library can have different alarm threshold. the number of the blacklist library should be fewer than 200, the total face image should be fewer than 2millions
search by image	it support searching by image. The relevant images will be presented according to the similarity from high to low. It support 20 millions face comparison
library operation	Supports register library add, delete, edit, search, and batch import and export
platform	work with DSS-C9100

DHI-IVS-F7500-P-S2

Ordering Information

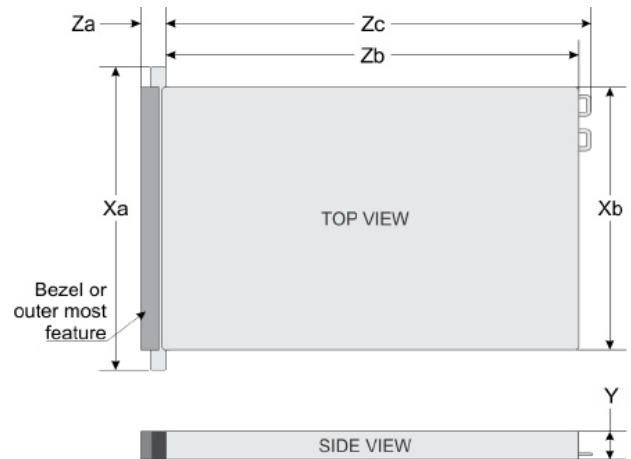
Type	Part Number	Description
IVS	DHI-IVS-F7500-P-S2	Distributed Face Recognition Server
Relevant Products	DH-IPC-HFW7442HP-Z	4MP AI bullet network camera
	DH-IPC-HFW5241EP-ZE	2MP AI bullet network camera

Relevant Products



DH-IPC-HFW7442HP-Z

Dimensions(mm)



Xa	482.0mm	Xb	434.0mm
Y	86.8mm	Za	35.84mm
Zb	647.07mm	Zc	681.755mm