

DH-IPC-HF7842F

8MP AI BOX Network Camera



System Overview

With advanced deep learning algorithm, Dahua Ultra AI series network camera supports various intelligent functions and satisfies the requirements in different scenes. The camera can accurately detect person, vehicle, and non-motor vehicle, face, ANPR, and liveness. This series camera has ultra starlight night version effect, and works with ultra-low stream.

Functions

Face Detection

Dahua Face Detection technology can detect the face in the image. With deep learning algorithm, the technology supports detecting, tracking, capturing and selecting the best face image, and then outputs face snapshot.

People Counting

With deep learning algorithm, Dahua People Counting technology can track and process moving human body targets to realize the accurate statistics of enter No., leave No., and In Area No. Working with management platform, it outputs yearly/monthly/weekly/daily reports to meet your requirements.

Video Metadata

With deep learning algorithm, Dahua Video Metadata technology can detect, track, capture vehicle, non-motor vehicle and people, and select the best images, and extract attributes.

Smart Codec

With advanced scene-adaptive rate control algorithm, Dahua smart encoding technology realizes the higher encoding efficiency than H.265 and H.264, provides high-quality video, and reduces the cost of storage and transmission.

- 8MP, 1/1.8" CMOS image sensor, low illuminance, high image definition
- Max outputs 8MP (3840×2160) @25fps/30fps
- H.264&H.265 coding, high compression ration · Wide dynamic, day/night, 3D noise reduction, AWB, HLC, BLC
- ROI, SVC, SMART H.264/H.265, flexible coding, applicable to various bandwidth and storage environments
- With deep learning algorithm, it supports people counting, face detection, perimeter protection etc
- 24V AC/PoE/12V DC power support
- Five streams for three-channel HD video



ePoE

Dahua ePoE technology provides a new way to accomplish long distance transmission between IP camera and network switch. It allows more flexible surveillance system design, improves reliability and saves construction and wiring cost.

Perimeter Protection

With deep learning algorithm, Dahua Perimeter Protection technology can recognize human and vehicle accurately. In restricted area (such as pedestrian area and vehicle area), the false alarms of intelligent detection based on target type (such as tripwire, intrusion, fast moving, parking detection, loitering detection and gathering detection) are largely reduced.

Technical Specification**Camera**

| | |
|--------------------------|------------------------------------|
| Image Sensor | 1/1.8" 8Megapixel progressive CMOS |
| Effective Pixels | 3840 (H) × 2160 (V) |
| ROM | 4 GB |
| RAM | 2 GB |
| Scanning System | Progressive |
| Electronic Shutter Speed | Auto/Manual 1/3 s–1/100000 s |
| Min. Illumination | 0.005 Lux@F1.5 |

Lens

| | |
|------------|-------------------|
| Lens Type | Manual vari-focal |
| Mount Type | C/CS |

Smart event

| | |
|-----------------------|---------------------------------|
| General IVS Analytics | Abandoned object, moving object |
|-----------------------|---------------------------------|

Professional, intelligent

| | |
|----------------------|---|
| Perimeter Protection | Tripwire, intrusion, fast moving (the three functions support the classification and accurate detection of vehicle and human); parking detection, loitering detection, and people gathering. |
| Face Detection | Face detection, track, priority, snapshot, face enhancement, face exposure, face attribute extract, 6 attributes and 8 expressions: Gender, age, glasses, expressions (anger, sadness, disgust, fear, surprise, calm, happiness and confusion), mask, beard Face matting setting: face, single inch photo Three snapshot methods: real-time snapshot, priority snapshot, quality priority Face angle filter Priority time setting |
| ANPR | ANPR, track, priority, snapshot Vehicle attributes: license plate, vehicle type, vehicle color, vehicle brand Other attributes: sun visor, seat belt, smoking, phoning, in-car accessories, annual vehicle inspection mark |
| Video Metadata | Support human body, human face, motor vehicle and non-motor vehicle image capture and attributes extraction. |
| People Counting | People counting (count the entry number, exit number and pass number), display and output daily/monthly/annual statistics, No. in area |
| Intelligent Search | Work together with Smart NVR to perform refine intelligent search, event extraction and merging to event videos. |

Video

| | |
|-------------------|--|
| Video Compression | H.265, H.264, H.264H, H.264B, MJPEG |
| Smart Codec | Yes |
| Video Frame Rate | Main Stream: 3840 × 2160 (1–25/30 fps) sub stream 1: 704 × 576 (1–25/30 fps) sub stream 2: 1920 × 1080 (1–25/30 fps) sub stream 3: 1920 × 1080 (1–25/30 fps) sub stream 4: 704 × 576 (1–25/30 fps) |
| Stream Capability | 5 streams |

| | |
|-------------------------------------|--|
| Resolution | 8M (3840 × 2160), 6M (3072 × 2048/3072 × 1728), 5M (2592 × 1944), 4M (2688 × 1520), 3M(2048 × 1536/2304 × 1296), 1080p (1920 × 1080), 1.3M (1280 × 960), 720p (1280 × 720), D1 (704 × 576/704 × 480), VGA (640 × 480), CIF (352 × 288/352 × 240) |
| Bit Rate Control | CBR/VBR |
| Video Bit Rate | H.264: 32 kbps–16384 kbps H.265: 12 kbps–16384 kbps |
| Day/Night | ICR switch |
| BLC | Yes |
| WDR | 120 dB |
| White Balance | Auto/natural/street lamp/outdoor/manual/regional custom |
| Gain Control | Auto/Manual |
| Noise Reduction | 3DNR |
| Motion Detection | OFF/ON (4 areas, rectangular) |
| Region of Interest(Rol) | Yes (4 areas) |
| Electronic Image Stabilization(EIS) | Yes |
| Smart IR | Yes |
| Defog | Yes |
| Image Rotation | 0°/90°/180°/270° (Supports 90°/270° with 1080p resolution or below.) |
| Mirror | Yes |
| Privacy Masking | 4 areas |

Audio

| | |
|-------------------|-----------------------------------|
| Audio Compression | G.711a; G.711Mu; G726; AAC; G.723 |
|-------------------|-----------------------------------|

Network

| | |
|-----------------------|---|
| Network | RJ-45 (10/100/1000 Base-T) |
| Protocol | HTTP; Https; 8021.x; TCP; ARP; RTSP; RTP; UDP; RTCP; SMTP; FTP; DHCP; DNS; DDNS; PPPoE; IPv4/v6; SNMP; QoS; UPnP; NTP; SFTP; RTMP; Genetec; Bonjour |
| Interoperability | ONVIF (Profile S/Profile G/Profile T); CGI; P2P |
| Scene self-adaptation | Yes |
| User/Host | 20 |
| Edge Storage | FTP; Micro SD card (256 G); NAS; SFTP |
| Browser | IE: Versions later than IE9 Google: Versions later than Chrome 42 Firefox: Versions later than Firefox 48.0.2 |
| Management Software | Smart PSS, DSS PRO, NVR, IVSS, DMSS |
| Mobile Phone | IOS, Android |

Certification

| | |
|----------------|--|
| Certifications | CE-LVD: EN60950-1 CE-EMC: Electromagnetic Compatibility Directive 2014/30/EU FCC: 47 CFR FCC Part 15, Subpart B UL/CUL: UL60950-1 CAN/CSA C22.2 No.60950-1-07 |
|----------------|--|

Port

| | |
|--------------|---|
| RS-485 | 1 (Bit rate: 1200 bps-115200 bps) |
| Audio Input | Audio Interface: 2/1 channel In/Out |
| Audio Output | |
| Alarm Input | 2 channel In: 5mA 5V DC |
| Alarm Output | 2 channel Out: 1000mA 30V DC/500mA 50V AC |

Power

| | |
|-------------------|-------------------|
| Power Supply | 12V DC/24V AC/POE |
| Power Consumption | <14.4W |

Environment

| | |
|-----------------------|----------------------------------|
| Operating Temperature | -30°C to +60°C (-22°F to +140°F) |
| Operating Humidity | ≤95% |
| Storage Temperature | -30°C to +60°C (-22°F to +140°F) |

Structure

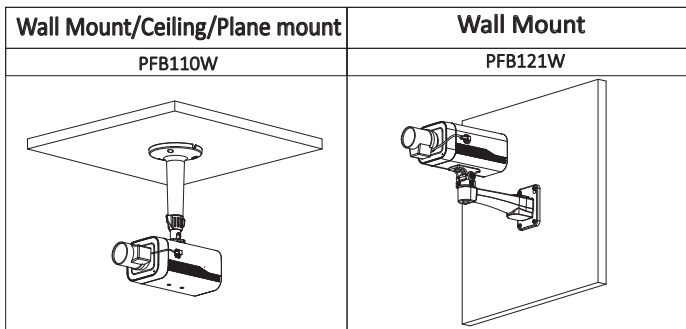
| | |
|--------------|--|
| Casing | Metal |
| Dimensions | 86 mm×74 mm×150 mm (3.39" × 2.91" × 5.91") (L × W × H) |
| Net Weight | 800g (1.76 lb) |
| Gross Weight | 900g (1.98 lb) |

Ordering Information

| Type | Part Number | Description |
|------------------------|-----------------|---------------------------|
| 8MP Camera | DH-IPC-HF7842FP | 8MP AI BOX Network Camera |
| | IPC-HF7842FP | |
| | DH-IPC-HF7842FN | |
| | IPC-HF7842FN | |
| Accessories (optional) | DH-PFB110W | Wall /Ceiling/Plane mount |
| | DH-PFB121W | Wall Mount |
| | DH-PLZ21C0-D | 10.5-42 mm |
| | DH-PLZ20C0-D | 3.7-16 mm |
| | DH-PFH610N | Housings |

Accessories

Optional:



Dimensions (mm/inch)

