

DHI-ITC352-AU3F-LZF1640

3MP AI Enforcement Camera



- GS-CMOS image sensor.
- 2048×1536@50fps.
- Video compression standards: H.265/H.264M/H.264H/H.264B/MJPEG.
- Integrated design, IP66.

System Overview

The camera impresses people with its high-performance AI processor, traffic-specific high frame rate GS-CMOS image sensor, and deep learning algorithms. It uses sophisticated image fusion technology to display high-quality full color images at night without using flashing light or external strobe, significantly reducing light pollution. The camera is ideal for intelligent traffic management and safe city businesses with its capacities of automatic number plate recognition, passing vehicle records, traffic data collection, event detection, and more.

Functions

Dual-frame image fusion

Adopts sophisticated image fusion technology to display high-quality full color images at night without using flashing light or external strobe, significantly reducing light pollution.

Ultra-high frame rate

Uses high-performance GS-CMOS image sensor with 50fps frame rate, high signal-to-noise ratio and wide dynamic range, displaying realistic video image day and night.

AI technology

High-performance AI processor with deep learning algorithm, capable of detecting multiple targets and suitable for a wide range of applications.

Multiple functions

Integrates functions such as traffic violations capture, vehicle data collection and event detection, ideal for various road scenarios.

Multi-dimensional data sensing

This is realized through GPS/BeiDou positioning.

Safe and reliable performance

Integrated design, built-in lightning protection module, IP66 protection grade, and wide temperature and voltage ranges, applicable to use in all-weather conditions.

Technical Specification

Image Processing

| | |
|------------------------------|---|
| Image Sensor | 1/1.8" GS-CMOS |
| Shutter Mode | Single shutter / holographic double shutters / three shutters |
| Electronic Shutter Speed | 1/50 s–1/100000 s (auto/manual) |
| Exposure Mode | Full auto/customized range/customized |
| Iris Control | Fixed iris/manual iris/auto iris/P iris |
| Lens | 16mm–40mm |
| Image Resolution | 2048×1536 (OSD black strip excluded) |
| Video Resolution | 3M (2048×1536)/UXGA (1600×1200)/1080P (1920×1080)/720P (1280×720)/D1 (704×576)/CIF (352×288) |
| Video Frame Rate | Maximum 50fps; main stream (1536×2048@25fps), sub stream (1600×1200@25fps) |
| Video Bit Rate | H.264: 32kbps–32767kbps H.265: 32kbps–32767kbps MJPEG: 512kbps–32767kbps |
| Video Compression | H.265/H.264M/H.264H/H.264B/MJPEG |
| Picture Encoding Format | JPEG |
| WDR | 64dB |
| White Balance | Auto/outdoor/manual/local white balance/natural light/street light |
| Noise Reduction | 2DNR/3DNR |
| Day/Night | ICR auto switch: IR cut-off filter (IRCF) with polarizing filter is used during daytime, and it changes to common IRCF during nighttime |
| HLC (Highlight Compensation) | Yes |
| Bad Pixel Correction | Yes |
| Edge Enhancement | Yes |
| Illuminator Number | 3 illuminators (white light LED strobe, brightness adjustable) |

Functions

| | |
|---------------------------------------|---|
| Composite Image | Supports composing 1, 2, 3, or 4 pictures |
| Trigger Mode | Video detection/radar/coil |
| OSD Overlay | Time, location (video channel location), lane (number, direction), and plate number |
| Storage | FTP, TF card (maximum 256GB@Class10) |
| Alarm Event | Storage full, storage error, external alarm, no storage card, license plate blacklist, abnormal device attitude, illegal access, network disconnection, and IP conflict |
| Automatic Network Replenishment (ANR) | Platform, FTP |
| Image Tampering Prevention | Yes. Watermark and verification are available for videos and pictures |
| Positioning Function | GPS/BeiDou |
| Time Synchronization | NTP/GPS/BeiDou |
| Security | Authorized username and password, MAC address binding, HTTPS encryption, and network access control |
| Auto Registration | Yes |

Intelligence

| | |
|--------------------------------------|---|
| Target Detection | Motor vehicle, non-motor vehicle |
| Face Detection | Detects driver and front-seat passenger of motor vehicle, and non-motor vehicle driver; extracts face image |
| Vehicle Plate Recognition | Recognizes license plates in Russian |
| Vehicle Type Recognition | Vehicle head mode: Coach bus, minibus, SUV, MPV, pickup, heavy truck, medium truck, car, van, light truck Vehicle tail mode: SUV, car, van, coach bus, pickup, cargo truck, mini truck, tank truck, mixer truck |
| Vehicle Color Recognition | White, pink, black, red, yellow, gray, blue, green, amber, purple, brown, silver gray |
| Motor Vehicle Violation Snapshot | ANPR mode: Wrong-way driving, overspeed, underspeed, disobey lane direction sign, cross white solid line, cross yellow solid line, illegal lane change, video speed measurement |
| Non-motor Vehicle Violation Snapshot | Captures traffic violations including carrying passenger, not wearing helmet, wrong-way driving, and occupying motorway |
| Traffic Flow Detection | Statistics of vehicle flow, queue length, average speed, lane occupancy, and more; statistics can be exported in Excel |
| Traffic Event Detection | Detects illegal parking and wrong-way driving of motor vehicles and traffic congestion |
| Video Metadata | Motor vehicle: License plate, vehicle type, vehicle color, license plate color, vehicle logo, and more Non-motor vehicle: Type (two-wheelers, three-wheelers), carrying passenger or not, wearing a helmet or not, and color |

Ports

| | |
|-----------------------|--|
| Lens Mount | C mount |
| Iris Control | 1, connects to auto iris or P iris |
| Focus Control | 1, connects to motorized vari-focal lens |
| Frequency Source Sync | 1, supports synchronizing the camera with mains electricity |
| Peripheral Light | 7, optocoupler signal output (can be configured as flashing light or LED strobe sync output interface, frequency adjustable) |
| Network | 2 RJ-45 Ethernet ports, 10/100/1000M network transmission |
| USB | 2 USB 3.0 ports |
| GPS | 1 GPS/BeiDou port |
| Storage | 1, supports maximum 256GB TF card local storage |
| RS-485 | 2, connects to signal detector, vehicle detector, flashing light, continuous light, and more |
| RS-232 | 4 RS-232 ports. 3 for radar connection, and 1 for serial port debugging |
| I/O | 4, capture signal input of I/O trigger, sharing with alarm in port |
| Alarm Input | 4, share with I/O port |
| Alarm Output | 2, AO1 relay output and AO2 optocoupler output, can be configured as alarm output or wiper output as needed |

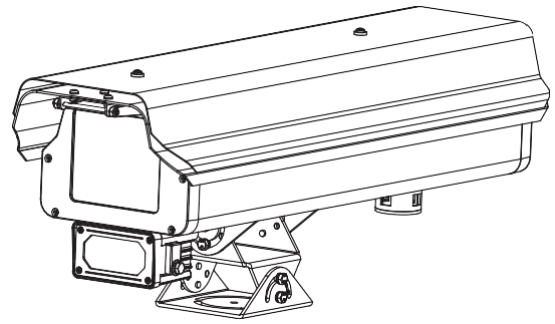
General

| | |
|-----------------------|----------------------------------|
| Power Supply | 100V AC–240V AC (50Hz/60Hz) |
| Power Consumption | ≤20W |
| Operating Temperature | –40°C to +65°C (–40°F to +149°F) |

DHI-ITC352-AU3F-LZF1640

| | |
|--------------------|--|
| Operating Humidity | 10%–90% |
| Protection Grade | IP66 |
| Dimensions | 540.00mm×207.79mm×198.14mm (21.26"×8.18"×7.80") (L×W×H) |
| Net Weight | 4.6kg (10.14lb) |
| Gross Weight | 6.6kg (14.55lb) |
| Installation | Universal joint installation |
| Power Adaptor | Standard |

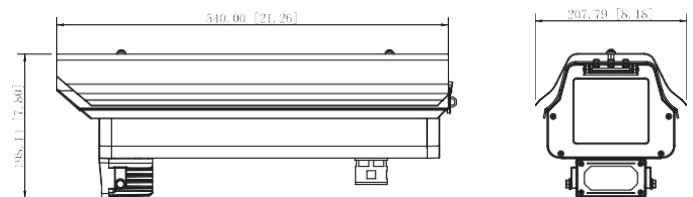
Installation



Ordering Information

| Type | Part Number | Description |
|-----------------------|-------------------------|---|
| AI Enforcement Camera | DHI-ITC352-AU3F-LZF1640 | 3MP all-in-one AI enforcement camera -L: Model with 18" protective cover |
| Bracket | PFA162 | 3-dimensional universal mounting bracket, needs to be purchased separately Brackets required = number of cameras + number of flashing lights |

Dimensions (mm[inch])



Accessories

Optional:



PFA162
3-dimensional universal
mounting bracket